

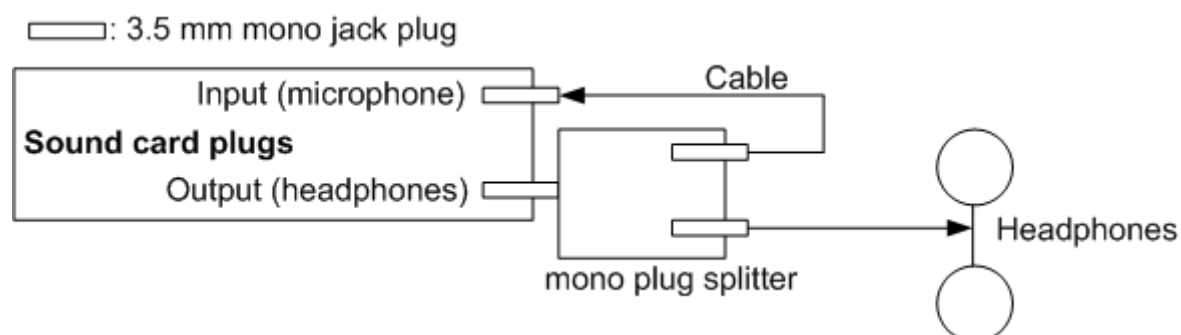
Connection of a WebSDR receiver to Multipsk (or another decoding program)

For PCs using an OS Windows inferior to 10 (XP, Vista, 7, etc)

There is, in general, no « Stereo Mix » recording device. It seems that, theoretically, from Windows Vista, “Stereo mix” could be already installed, but I did not see this device on any of my old PCs.

In this configuration, to connect Multipsk to the WebSDR receiver (<http://www.websdr.org/>), the sole solution is to connect the sound card input (microphone) with the sound card output (towards the headphones) with a cable. At each end of the cable a 3.5 mm mono jack plug is connected to the sound card (input and output).

Now to be able to hear the sound coming from the WebSDR receiver, insert at the sound card output, a 3.5 mm mono plug splitter, i.e. one male plug (mono) to two female jacks 3.5 mm (mono). One output will be used for the headphones and the other one for the cable.



It remains to adjust the sound volume so that the mean level on Multipsk be about 50%.

Important: don't forget to deactivate the “sound effects” option of the microphone (Panel “Improvements” of the Microphone properties after having right clicked the “Loudspeaker” icon and selected the “Recording devices” option), as Multipsk can't correctly decode with this artificial distortion.

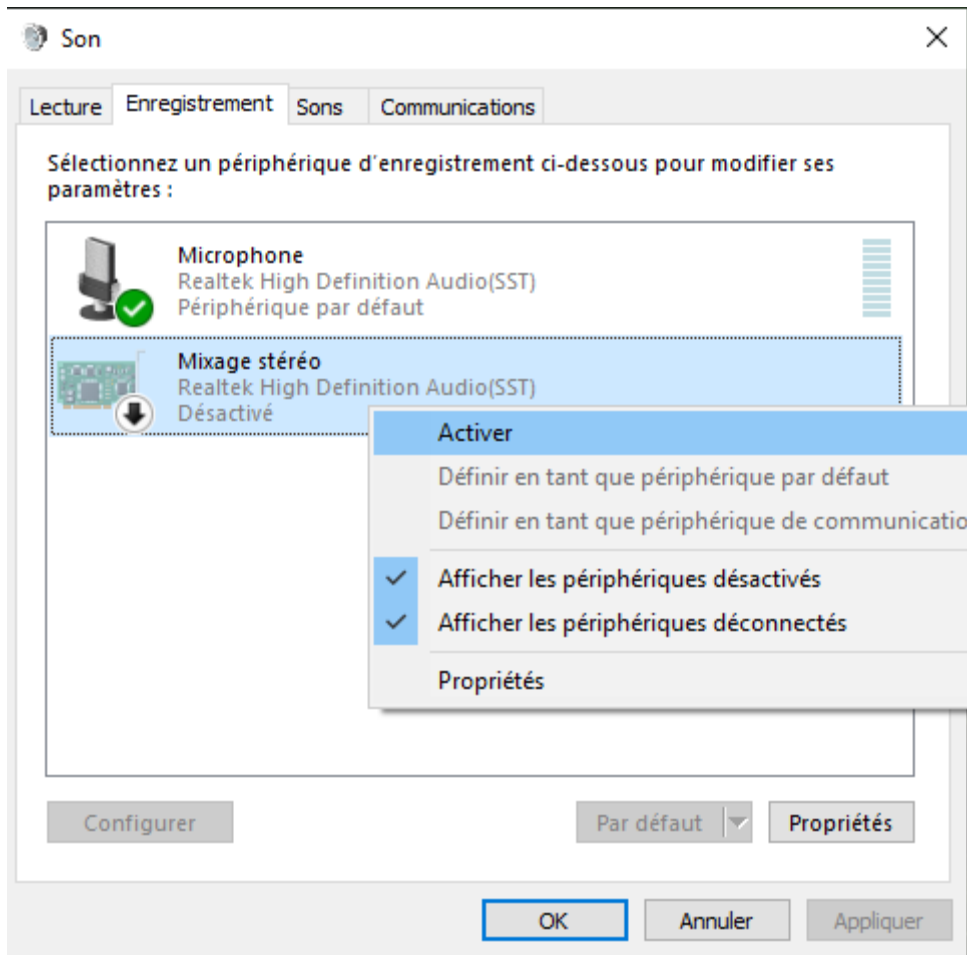
For PCs using an OS Windows 10 or superior

There is installed, in general, a « Stereo Mix » recording device. This device permits to digitally connect the sound card output with the sound card input. It is equivalent as the previous cable, but without any distortion. For old Windows (Vista or later) PCs, check if such device is installed, who knows?

Note that modern PCs propose a sole jack 3.5 mm 4 poles for both the sound card input and the output. It would not be impossible but very difficult to

connect the sound card input to the output with a cable, the connectivity being “capricious”.

Click right on the “Loudspeaker” icon and then click on the “Sound” option. Click on the “Recording” page and activate the “Stereo Mix” device (called “Mixage stéréo” in French), as shown below.



At the level of the Configuration screen of Multipsk, select the “Stereo mix” sound card on the “Sound Card (Input)” menu.

At the level of the sound card plug (4 poles), it remains to connect the headphones via a splitter, then to adjust the sound volume so that the mean level on Multipsk be about 50%.

Note: in both configurations, it would be better to have a volume adjustment on the headphones, so that the sound level on the headphones and the one on Multipsk be independent.

Solution using a VAC, in case of the absence of the “Stereo Mix” device (for a reason or another)

The sole realistic solution in this case (apart to try to connect the sound card input to its output) is to use a VAC (Virtual Audio Cable). But the problem is that you will not be able to listen to the receiver sound, because Windows does not permit to share a sound input between several outputs (apart via the “Stereo Mix” device).

For the VAC, below is a good address for information.

https://wiki.radioreference.com/index.php/HF_Appendix#Virtual_Audio_Devices

The VAC output must be activated by default on the “Playback” part of the “Sound” panel (which can be seen on the snapshot above), so the browser will send the WebSDR receiver sound to the VAC output. On Multipsk it must be selected, at the level of the “Sound Card (Input)” menu, the other tip of the VAC. Finally the WebSDR receiver sound will be leaded to Multipsk via the VAC.

Solution using two PCs

Another solution is to monitor the WebSDR receiver with the first PC (modern PC, supposed connected to the WEB), then to connect the sound card output of this first PC, via a splitter, to the sound card input of the second PC (an old PC not supposed connected to the WEB). On the Sound panel of this second PC, click right on the “Loudspeaker” icon and select the “Recording devices” then the “Microphone”. On the “Levels” panel, adjust the microphone level so as to hear the WebSDR receiver sound with headphones plugged at the soundcard output.

Start Multipsk. At the level of the “Sound Card (Input)” menu, select the microphone input. Now you decode the WebSDR receiver signal and hear its sound.